



## Recognition Systems

# HandKey®

## Biometric Access Control Reader

### The no-compromise security solution is at hand.

Biometric identification is the automatic assessment of a unique body feature or personal action. Biometric systems are superior because they provide a nontransferable means of identifying people, not just cards or badges. The HandKey® uses the uniqueness of three dimensional hand geometry to control access to your valued resources. And it does it better than any other biometric system. Results of independent field tests show that the HandKey has the best overall performance and user acceptance of any biometric device.

The HandKey is fast and accurate, providing positive identification typically within one second. The reader also utilizes a user-friendly, non-invasive measurement – the hand is simply placed on a flat plate in full view of the user. The HandKey's small 9 byte template means fast enrollment with minimum data coverage.

The HandKey is ideal as a stand-alone or networked to an access control system. The reader can emulate card readers for easy integration into existing card systems, and its low cost is competitive with the costs of card reader systems.

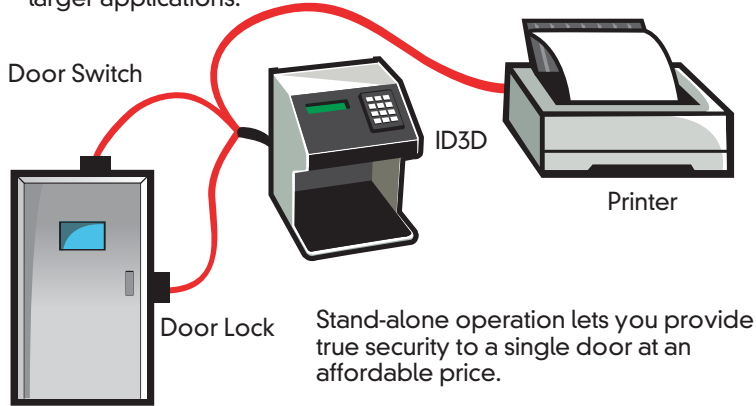


### FEATURES & BENEFITS

- REAL security
- Saves money over card-based systems
- Fast and easy to use
- Increases convenience by eliminating cards
- Fast and easy to use
- Integrates into existing systems
- Field proven reliable technology

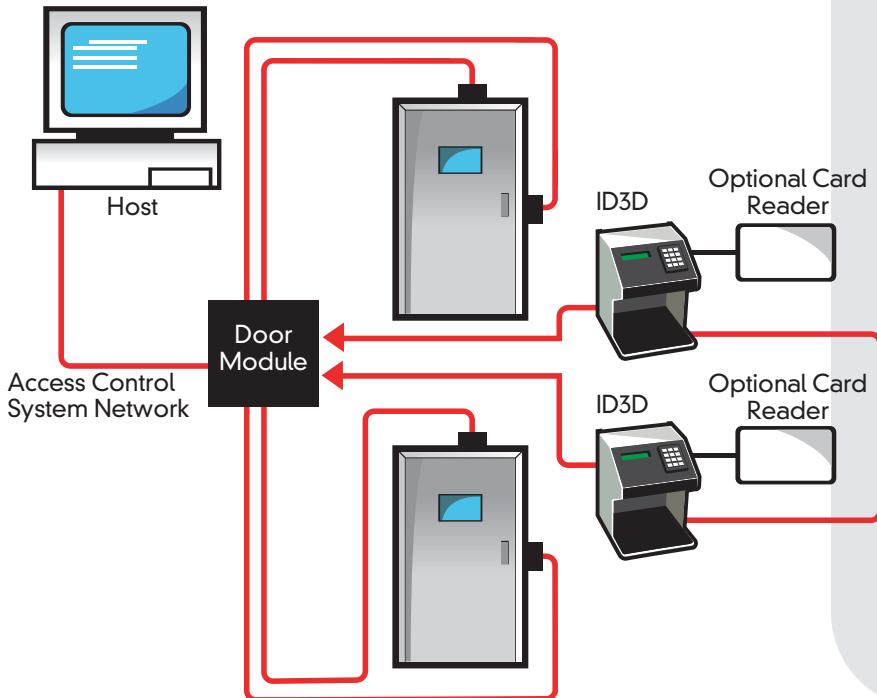
### Stand Alone System

The HandKey® can operate as a complete stand-alone access control station. Door lock operation and alarm monitoring of the door status is provided. An external alarm circuit is included for operating an audio or visual alarm. HandKeys can be networked together using HandNet for Windows software to accommodate larger applications.



### Third Party System Interface

The HandKey can easily be integrated into new or existing third party access control systems using its card reader emulation output. All Wiegand, proximity and mag stripe formats can be accommodated. No modifications are needed to the third party system. The HandKeys can be interconnected via RS-485 twisted pair for hand data transfer.



### SPECIFICATIONS

- Part Number: ID3D-R
- Size: 6.46 in. (16.4 cm.) wide  
8.25 in. (21.0 cm.) high  
7.20 in. (18.5 cm.) deep
- Weight: 8 lbs. (3.6 kg)
- Power: 12-14 VDC max, allowable @0.5 Amps min.
- Environment: Operating: 32°F to 110°F  
Relative Humidity: 95% NC
- Verification Time: Less than 1 second
- Memory Retention: 5 years with internal lithium battery
- Transaction Storage: 3,405 buffered
- ID Number Length: 1 to 10 digits from keypad or card
- User Capacity: 256 users standard, internally expandable to 27,904
- Template Size: 9 bytes
- Communications: RS-485 (4 and 2 wire)  
RS-232 Serial Printer Support
- Baud Rate: 300 to 28.8 Kbps
- Card Reader Input: Wiegand, magnetic stripe, barcode or proximity
- Card Reader Output: Wiegand or magnetic stripe
- Duress Code: Single digit, user defined
- Door Controls: Request to Exit input (switch or keypad),  
Door Switch input, Door Lock output (open collector, 5 VDC present, sinks to ground, 100mA max)
- Alarm Monitoring: Tamper, Door Forced, Duress
- Time Zones: 62 user definable time zones  
Unlimited holidays
- Options: BB-100 Operational Battery Backup  
EM-600 Memory Expansion - 3,328 users  
EM-602 Memory Expansion - 9,728 users  
EM-604 Memory Expansion - 27,904 users  
EN-100 Ethernet Communications Module  
MD-200 Internal Dial-Up Modem  
WAR-EXT 1 year extended warranty  
WM-200 Recessed Wall Mount Kit  
WM-201 Surface Wall Mount Kit



**Schlage**  
Recognition Systems  
1520 Dell Avenue,  
Campbell, CA 95008  
Tel 408.341.4100  
[www.schlage.irrsi.com](http://www.schlage.irrsi.com)